

RDPG-Digital Pressure Gauge

The unit is designed for use on process plants where high accuracy is required, used in laboratories for high accuracy pressure measurement.

Material

Housing: Aluminium (anodized)

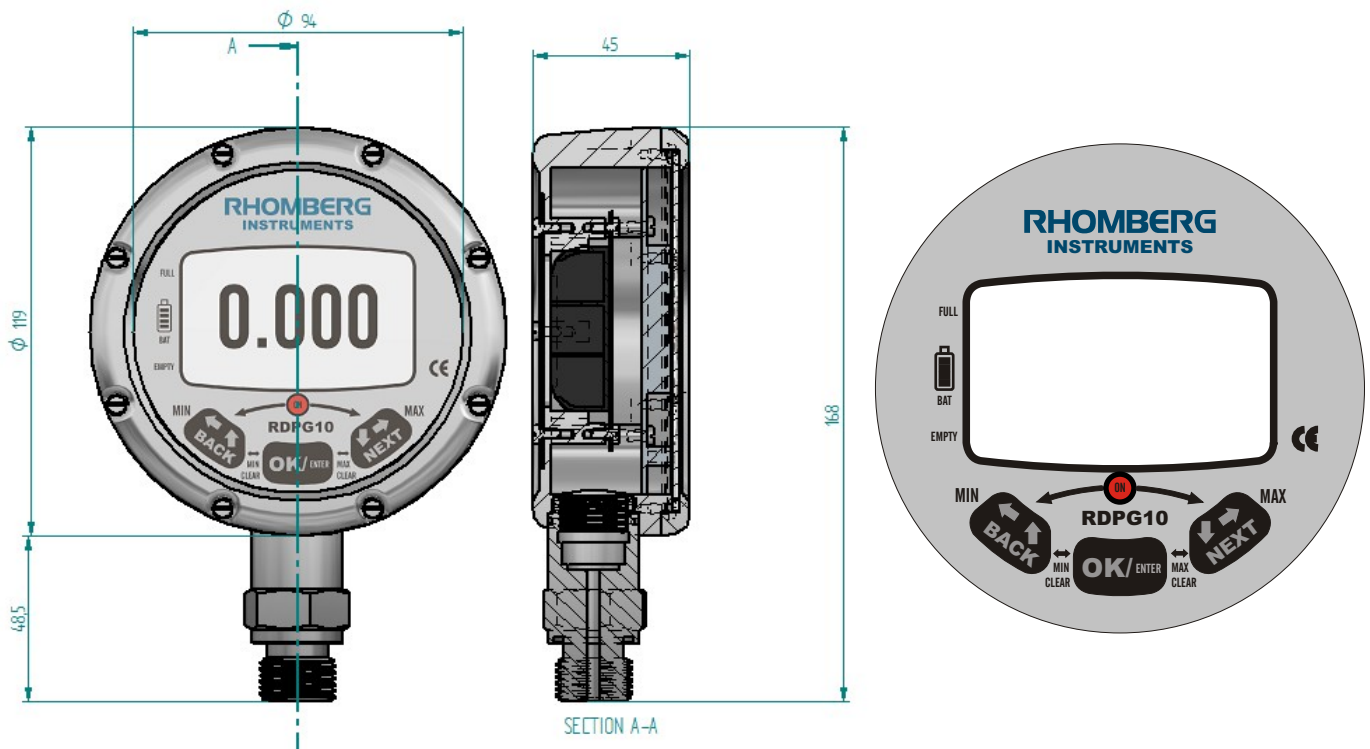
Front face: Aluminium (anodized)

Socket connection: 316L stainless steel

Face: Polycarbonate

Input:

Touch screen via front face



With advanced microprocessor technology and state-of-the-art ceramic pressure sensors, the RDPG series digital pressure gauges provide an accurate, reliable, and economic solution for a wide range of pressure applications. They are loaded with functionality and remarkably easy to use. To reach the best performance, every pressure sensor in our gauges is specially aged, tested and screened before assembly. With Back light, Min/Max and High/Low trip point features, the RDPG gauge can store over pressure measurement for peaking solution. The RDPG series digital pressure gauges are unmatched in performance and reliability. Best of all, they are very affordable.

Technical Specifications

General Specifications	
Power	1.5VDC (3 x AA)
Accuracy (BFSL)	<0.25% FS
Compensated Temp. Range	0°C to 85°C
Temperature error zero	< -0,02% FS / K
Temperature error span	< -0,01% FS/K (0-70°C)
Ingress protection	Ip67
Burst pressure	2.5 x FS (Except where indicated)
Wetted Parts/Connection	316 Stainless steel, ceramic, Viton

Pressure Ranges (Bar)	
1	1.6
2.5	4
6	10
16	25
40	60
100 (175)	160 (280)
250 (400)	400 (700)
600 (1000)	

() Burst Pressure